

#6 SELF-TAPPING
SCREW (TYP)

L-CLIP (TYP)

#10 SCREW WITH
PLASTIC SCREW
ANCHOR (TYP)

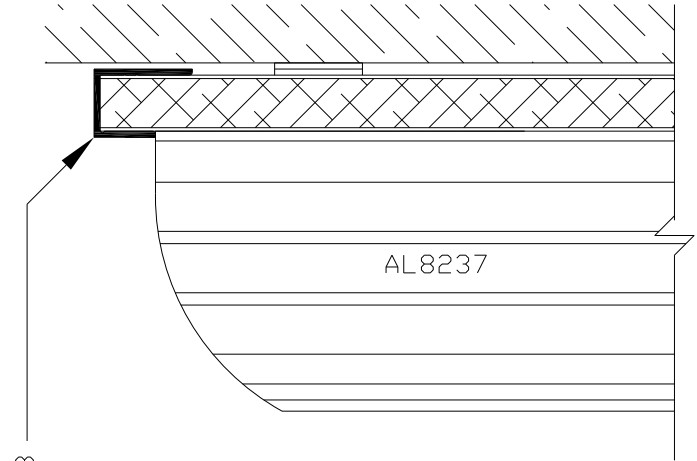
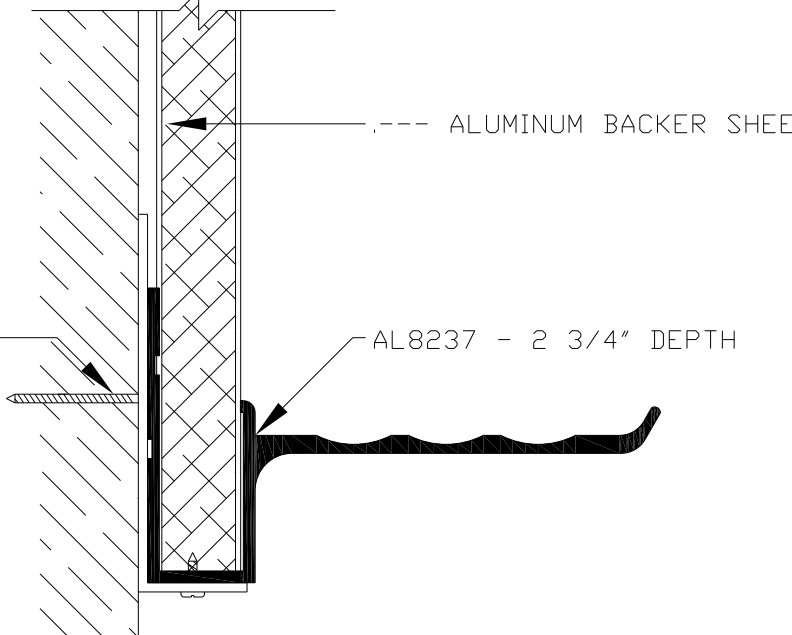
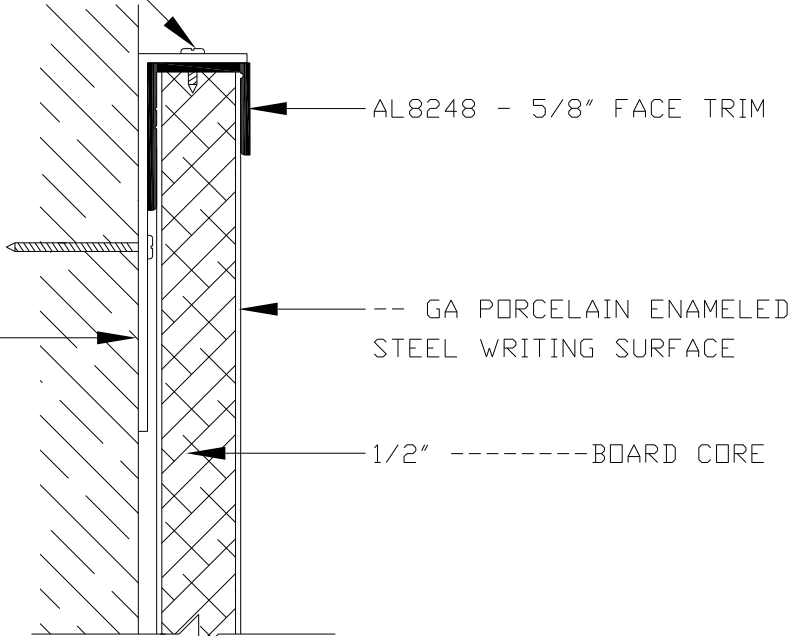
AL8248 - 5/8" FACE TRIM

-- GA PORCELAIN ENAMELED
STEEL WRITING SURFACE

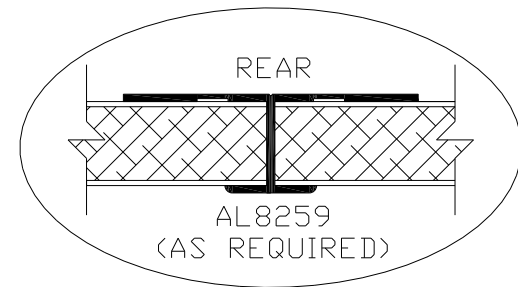
1/2" -----BOARD CORE

----- ALUMINUM BACKER SHEET

AL8237 - 2 3/4" DEPTH



TOP SECTION
1/2 SCALE



CHALKBOARD/MARKERBOARD
SERIES 1260

PROJECT: -		JOB #
DATE: --/--/--		-----
DRAWN BY: TCW	SCALE: 3/4	
SUBMITTED FOR: -		
MANUFACTURED BY: MARSH INDUSTRIES, INC.		
PO BOX 1000 - NEW PHILADELPHIA, OH 44663-5100		
PH: (330) 308-8865 FAX: (330) 339-5875		

THIS DRAWING IS PROPRIETARY TO MARSH INDUSTRIES, INC. AND IS FURNISHED SUBJECT TO AN EXPRESSED AGREEMENT NOT TO USE OR DISCLOSE, DIRECTLY OR INDIRECTLY, FOR ANY PURPOSE. THIS LEGEND SHALL BE MARKED UPON ANY REPRODUCTION IN WHOLE OR IN PART HEREOF.

SHEET OF
- -